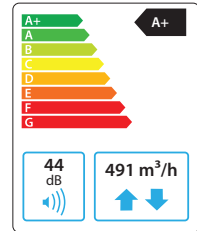


Domekt R 450 V C6M

Maximal air flow, m ³ /h	491
Maximal air flow, l/s	136
Unit weight, kg	60
Supply voltage, V	1~230
Maximal operating current, A	HE7,5
Thermal efficiency of heat recovery, %	86
Reference flow rate, m ³ /s	0,095
Reference pressure difference, Pa	50
SPI, W/(m ³ /h)	0,3
Filters dimensions BxHxL, mm	517x278x46
Electric power input of the fan drive at reference flow rate, W	54
Electric power input of the fan drive at maximum flow rate, W	146
Electric air heater capacity, kW / Δt, °C	1 / 8,6
Maintenance space, mm	700
Control system	C6M



Acoustic data

A-weighted sound power level L_{WA} , dB(A) at reference flow rate

Supply inlet	57
Supply outlet	66
Exhaust inlet	57
Exhaust outlet	66
Casing	44

A-weighted sound pressure level L_{pA} , dB(A)

10 m² normally isolated room, distance from casing – 3 m.

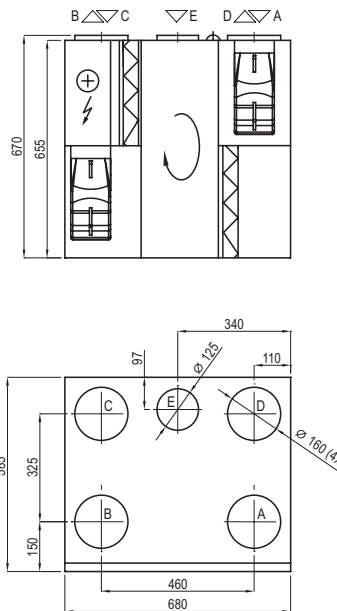
Surroundings	34
--------------	----

Temperature efficiency

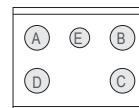
Outside temperature, °C	Winter					Summer		
	-23	-15	-10	-5	0	25	30	35
After heat exchanger, °C	15,7	16,8	17,5	18,2	18,9	22,4	23,1	23,8

indoor +22°C, 20 % RH

Shown as left (L1)



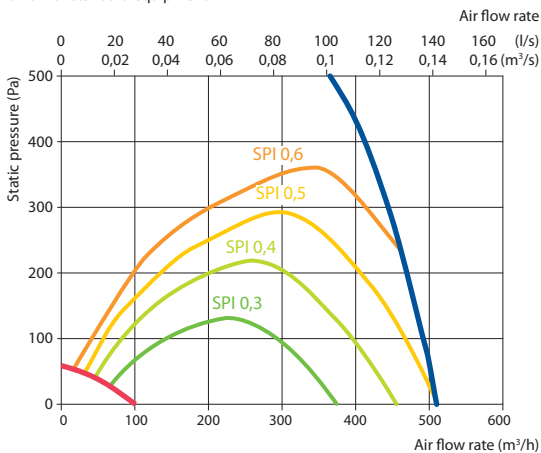
Shown as right (R1)



- A outdoor intake
- B supply air
- C extract indoor
- D exhaust air
- E additional extraction connection (by-pass – extraction without heat recovery)

Performance

Unit with standard equipment



Accessories

Closing damper	AGUJ-M-160+LF230/CM230
Silencer	A/D AGS-160-50-600-M B/C AGS-160-50-900-M
Water heater	DH-160
PPU	PPU-HW-3R-15-0,4-W2
2-way valve (heater)	VVP47.10-0,4

Water cooler	DCW-0,5-3
2-way valve (cooler)	VVP47.10-1,6
Outdoor grill	LD-160
Water heater-cooler	DHCW-160
DX cooler	DCF-0,5-3
Cooling unit	MOU-12HFN8+KA8243

C6.1



C6.2

