



### TECEprofil bidet module for wall-mounted bidet, installation height 820 mm

Article number: 9330005

DU 1: 1 pc.  
DU 2: 10 pc.  
DU 3: 60 pc.

#### Description:

To attach to TECEprofil section tubes or to install in metal or wooden post-and-beam walls and as pre-wall or corner module.

Completely pre-assembled unit, consisting of:

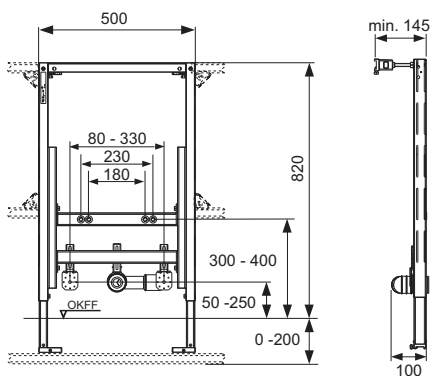
- Self-supporting, powder coated assembly frame and two adjustable supports for floor constructions between 0-200 mm
- Two M 12 retaining bolts and nuts
- Continuously height-adjustable drain connection
- Connection bend DN 40/50, with rubber collar, nominal diameter 30/50, (also acts as seal), incl. protective plug
- Two depth-adjustable module attachments

In combination with telescopic attachment 9380001 it can also be fitted in a TECEprofil pre-wall for installation height 980 mm.

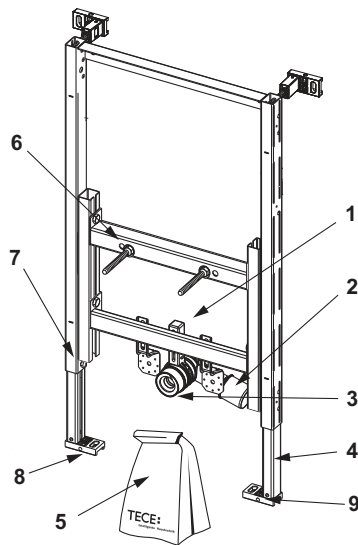
#### Sales data:

Product name: TECEprofil bidet module as. h. 820 mm for wall-hanging bidet  
Commodity group: 900  
Product group: 2009000010

#### Dimensional drawings:



Spare parts:



- |   |         |  |
|---|---------|--|
| 1 | 9820034 | Drain bend holder DN 50                            |
| 2 | 9820035 | Drain bend DN 50/DN 40                             |
| 3 | 9820059 | Rubber collar nominal diameter 30/50               |
| 4 | 9820335 | C-section for module foot                          |
| 5 | 9820047 | By-pack for bidet module (mounting material, etc.) |
| 6 | 9820071 | Clinch nut   |
| 7 | 9820447 | Foot brake with steel spring                       |
| 8 | 9820332 | Module foot with toggle left                       |
| 9 | 9820333 | Module foot with toggle right                      |