



TECEprofil toilet Geronto module, with Uni cistern, in accordance with DIN 18040-1, installation height 1120 mm

Article number: 9300009

DU 1: 1 pc.
DU 2: 10 pc.
DU 3: 60 pc.

Description:

Toilet module for the installation to TECEprofil section tubes or to flush-mounted profile walls or in front of a solid wall. For barrier-free construction with raised ceramic mounting. Module with lateral steel frames and conduits for cable laying including mounting materials.

Safety support arm = 760 mm

Partially pre-assembled unit, consisting of:

Uni cistern for front actuation:

- Safety tank made of impact-resistant plastic
- Cistern completely pre-assembled and sealed
- Cistern connection with 1/2" inner thread
- 10-litre tank volume; 6-litre pre-set standard flush volume; 4.5/7.5/9-litre flush volume setting option at any time; 3-litre partial flush volume with dual-flush system. Remaining volume can be used for immediate cleaning flush.
- Insulated against condensation water
- For TECE flush plates, toilet electronics and toilet flush handle
- Can be set as a single or dual-flush cistern depending on the flush plate used
- Certified in accordance with DIN EN 14055
- Acoustic group 1 in accordance with DIN 4109
- Low-noise hydraulic filling valve

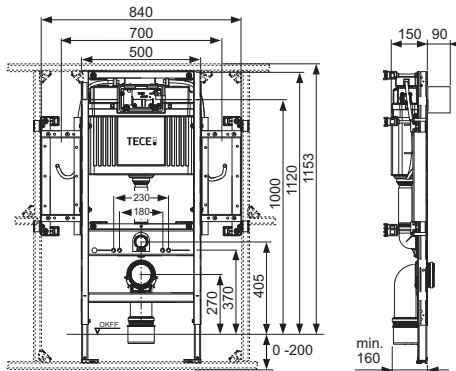
Module consisting of:

- Self-supporting installation frame, powder-coated
- Two adjustable supports for floor projections of 0-200 mm
- Two M 12 retaining bolts and nuts
- Eight depth-adjustable modular attachments
- Four multi-clips for attachment to a TECEprofil wall
- Lateral steel frames to hold the steel plate sets
- Toilet drain bend DN 90 incl. joint adapter DN 90/100 made of PP
- Joint adapter also suitable for horizontal installation
- Toilet connection set DN 90, including protective plugs

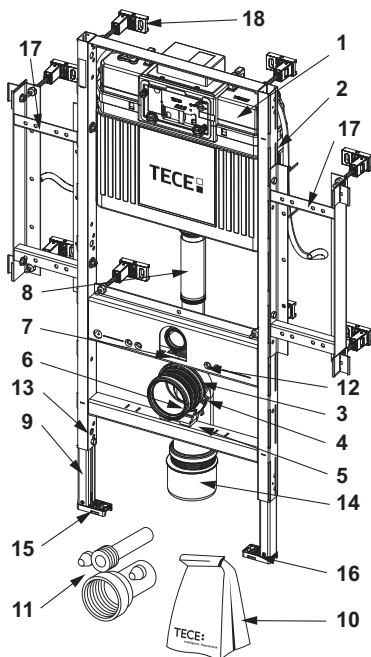
Sales data:

Product name: TECEprofil toilet Geronto module, with Uni cistern, in accordance with DIN 18040-1, installation height 1120 mm
 Commodity group: 905
 Product group: 2009050010

Dimensional drawings:



Spare parts:



- | | | |
|----|---------|--|
| 1 | 9820103 | Uni cistern 1120 mm |
| 2 | 9820040 | Assembly kit for Uni cistern |
| 3 | 9820041 | Toilet drain bend holder (up to 03/2017) |
| | 9820348 | Toilet drain bend holder complete, underneath (from 04/2017) |
| 4 | 9820042 | Bracket for toilet drain bend holder (up to 03/2017) |
| 5 | 9820134 | Toilet drain bend DN 90 (PP) |
| 6 | 9820139 | Seal for toilet drain bend/adaptor |
| 7 | 9820015 | Flush pipe seal |
| 8 | 9820011 | Flush pipe with O-ring, length 269 mm |
| 9 | 9820335 | C-section for module foot |
| 10 | 9820043 | By-pack for toilet module (mounting material, etc.) |
| 11 | 9820057 | Connection set DN 90 for toilet |
| 12 | 9820071 | Clinch nut |
| 13 | 9820447 | Foot brake with steel spring |
| 14 | 9820136 | Adapter DN 90/DN 100 (PP) |
| 15 | 9820332 | Module foot with toggle left |
| 16 | 9820333 | Module foot with toggle right |
| 17 | 9820437 | Support frame set |
| 18 | 9380014 | Wall attachment with quick closure |