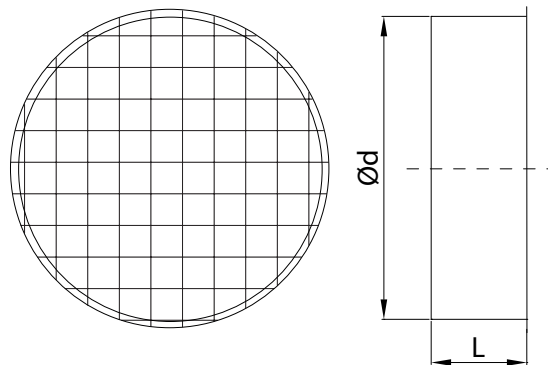


Take-offs with mesh ILSN/ILSNL

[Download Wentyle](#)
[Download AlnorCAM](#)
[Buy via B2B](#)



Dimensions



Description

ILSN connection with a mesh is used as the termination of ventilation ducts. It is equipped with a mesh made of galvanized wire of 1,05 mm diameter and mesh size 12,7 x 12,7 mm protecting against external contaminations. It is made of galvanized sheet. Optionally stainless or aluminium version is available.

Example identification

Product code: **ILSN 160**

type _____
wielkośc ød _____

<i>kod</i>	$\varnothing d$ [mm]	<i>L</i> [mm]
ILSN-80	80	47
ILSN-100	100	47
ILSN-110	110	47
ILSN-125	125	47
ILSN-140	140	47
ILSN-150	150	47
ILSN-160	160	47
ILSN-180	180	47
ILSN-200	200	47
ILSN-224	224	47
ILSN-250	250	47
ILSN-280	280	47
ILSN-300	300	47
ILSN-315	315	47
ILSN-355	355	73
ILSN-400	400	93
ILSN-450	450	93
ILSN-500	500	93
ILSN-560	560	93
ILSN-600	600	93
ILSN-630	630	93
ILSN-710	710	122
ILSN-800	800	122
ILSN-900	900	122
ILSN-1000	1000	137
ILSN-1120	1120	137
ILSN-1250	1250	137