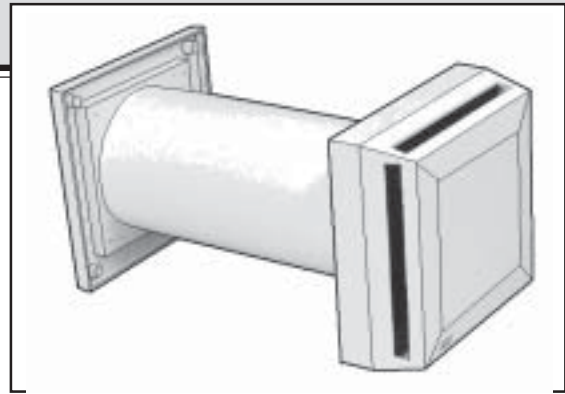


## Description

The TL98P is an ventilator unit designed to provide a continuous flow of air into a building. The unit can be installed in bedrooms, living rooms or any other kind of room in need of ventilation. A high placing is recommended, preferably in suitable relationship to a radiator. This mixes the incoming air with the convection flow of warm air, ensuring maximum comfort. The unit consists of a precision damper and filter, five pipes and an louvred vent.



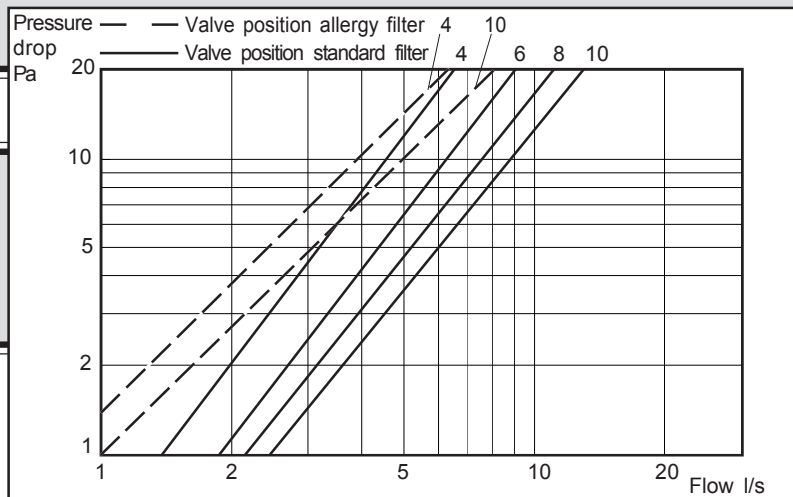
Each ventilator includes 3 air-direction plugs and a locking plate which fixes the unit in the required position. It can be regulated by means of a cord, which is supplied as standard.

## Function

The incoming air "glues" itself to the inner wall, where it is warmed and spread to the rest of the room. The spread of air can be varied by mounting the air-direction plugs in the air stream of the housing. The unit is fitted with a precision damper for exact adjustment of the air flow. This is done by means of scale on the cover and the adjustment diagram below. The damper is actuated by a regulator situated on the underside

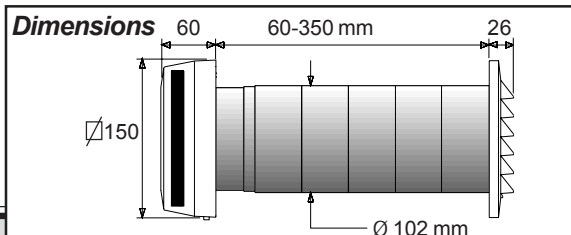
of the valve. It can also be adjusted by a hanging cord if required. The ventilator is also fitted with a minimum-flow stop at position 2, in order to ensure a certain minimum ventilation. At this point the flow is c.3 lit./sec. at 10 Pa. If the valve needs to be closed completely for any reason, the stop can be overcome by pressing the regulator harder towards the 0 position. To adjust the valve to a fixed flow, remove the regulator grip and replace it with a locking plate to prevent the damper being reset.

## Adjustment diagram



## Technical data

**Capacity at 10 Pa**  
 Fully open, position 10: 8.8 l/s  
 Half open, position 5: 5.4 l/s  
**Mounting hole:** 105 mm diam  
**Max. wall thickness:** 350 mm. For thicker walls add Fresh pipes.  
**Adjustable spread pattern**  
**Condensation screen**  
**Filter**



## VENTILATOR TL98P

### Installation

The ventilator should be mounted high up, preferably in suitable relation to a radiator.

#### 1. Hole diameter

- Cut a hole through the wall 105 mm in diameter, slanted downwards slightly (1 mm/100 mm) in the outward direction. Use a hole saw or drill a ring of small holes remove the core using a chisel etc.

#### 2. Mounting the outer parts

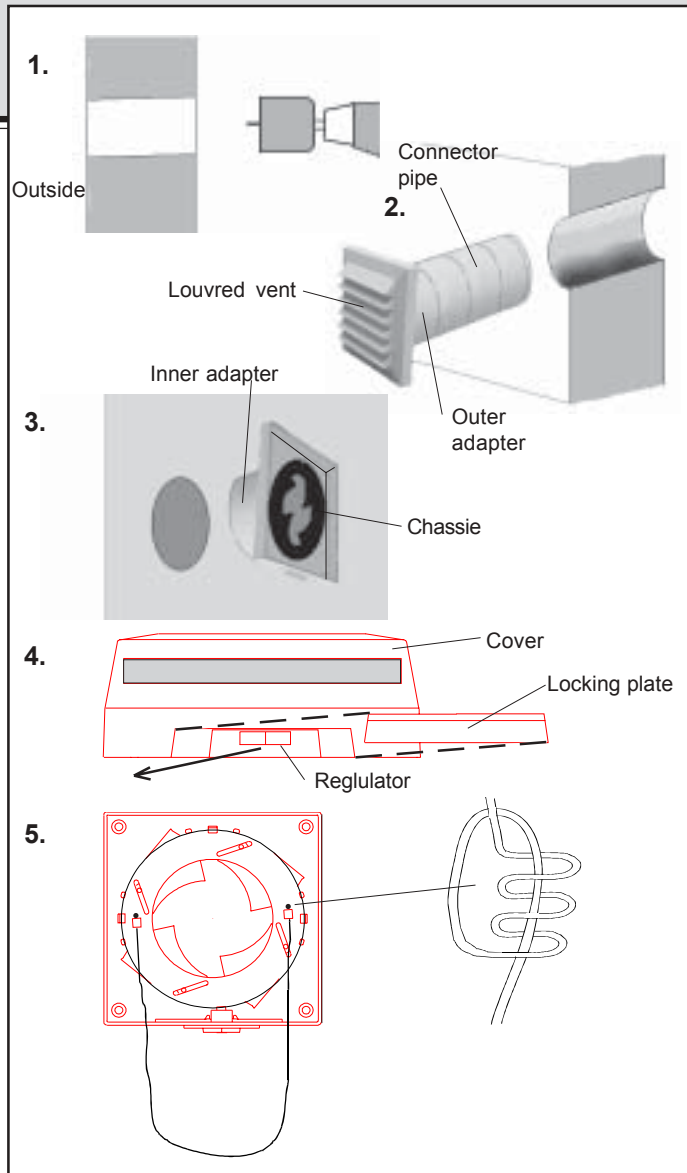
- Press the outer adapter on the louvred vent
- Fit further pipes so that the total length is just slightly less than the wall thickness.
- Insert the vent and pipes through the wall from the outside. Fix the vent in place using four of the screws supplied. Seal between the vent and the facade with sealing compound where necessary.

#### 3. Mounting the inner parts

- Loosen the cover from the chassis.
- Press the inner adapter on to the back of the chassis.
- Fit the inner part and fix in place using the remaining four screws.
- Refit the cover and set the required air flow by means of the regulator and the scale.

#### 4. Adjustment

- If a fixed setting is required, this can be set as follows:
- Bend the regulator away using the fingers or a small screwdriver.
- Adjust to the setting required by moving the regulator tab along the scale.
- Fit the locking plate, pressing it firmly in place.



#### 5. Fitting the cord (handicap adaptation)

- Remove the cover
- Open the pre-marked holes (one each side of the regulator) using a bradawl or a 2 mm drill.
- Thread one end of the cord through each hole and tie a knot behind the equivalent hole in the ring. Use triple overhand knots.

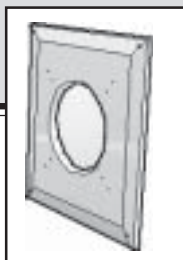
### Maintenance

The ventilator is easy to clean. The cover and the filter can be pulled off together. It is then easy to separate them for washing and to replace them.

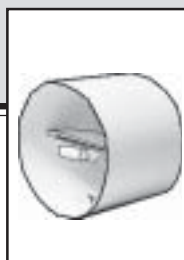
It is important to keep the filter clean (wash - and replace when necessary), in order to ensure the correct flow of air and to retain good air quality.

### Accessories

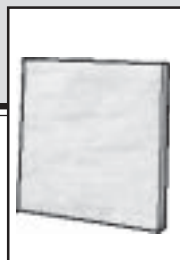
There is a complete range of accessories for Fresh ventilators and fans, in order to provide the maximum flexibility



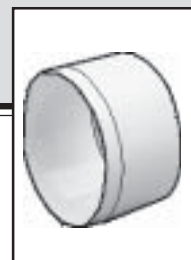
Cover plate



Cold air screen



Allergy filter



Connector pipe 10