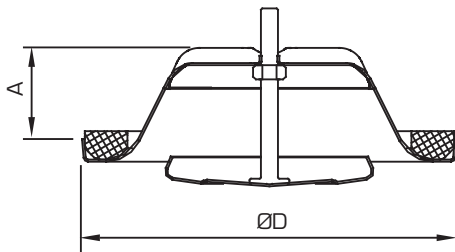


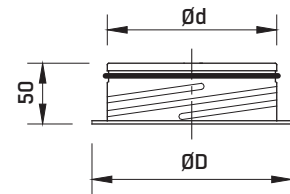
NK

NK

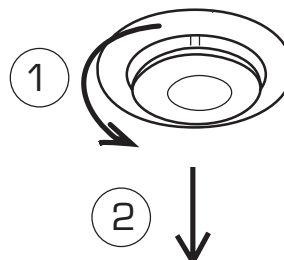
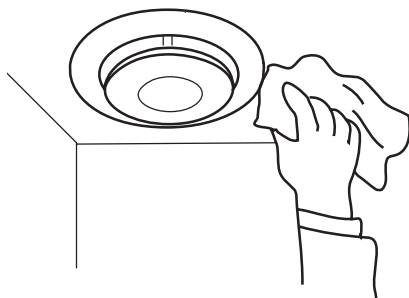


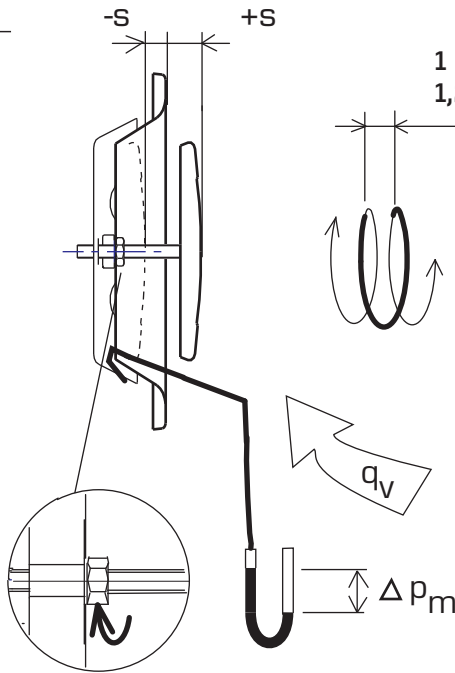
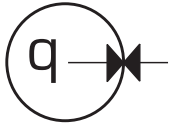
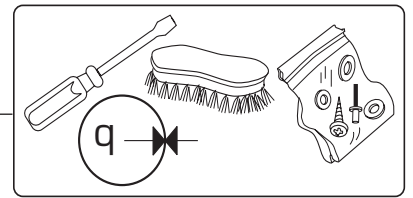
NK	ØD	A
80	112	29,0
100	132	31,5
125	162	36,5
150	193	44,0
160	193	44,0
200	245	53,5

KKT, KKL



KKT/KKL	Ød	ØD
80	79	101
100	99	122
125	124	148
150	149	175
160	159	184
200	199	225

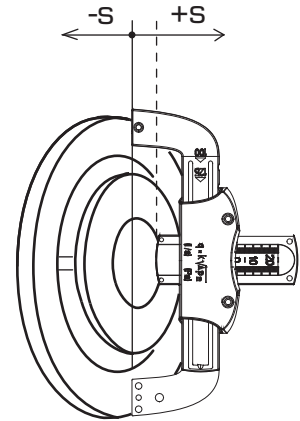




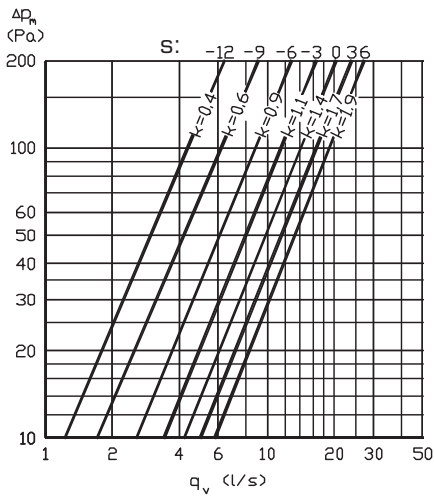
1 mm (NK-80..125)
1,25 mm (NK-150...200)

$$q = k \sqrt{\Delta p_m} \quad (\text{l/s}) \quad (\text{Pa})$$

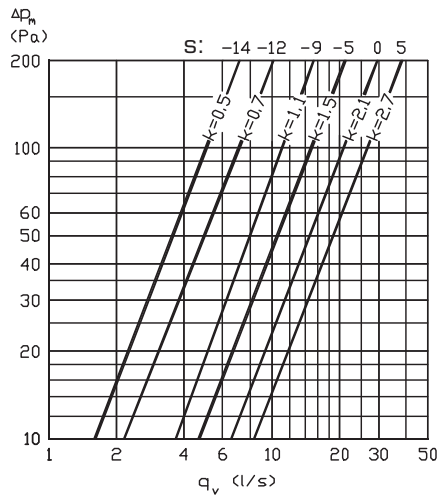
$$q = 3.6k \sqrt{\Delta p_m} \quad (\text{m}^3/\text{h}) \quad (\text{Pa})$$



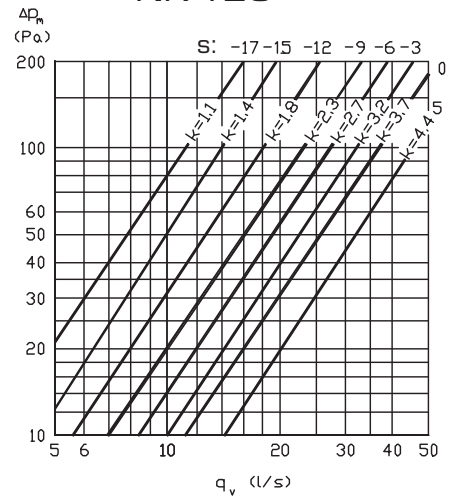
NK-80



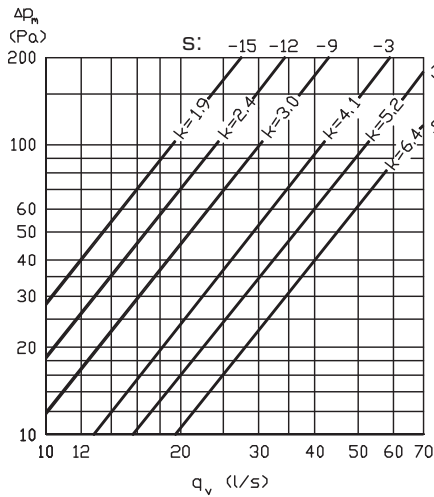
NK-100



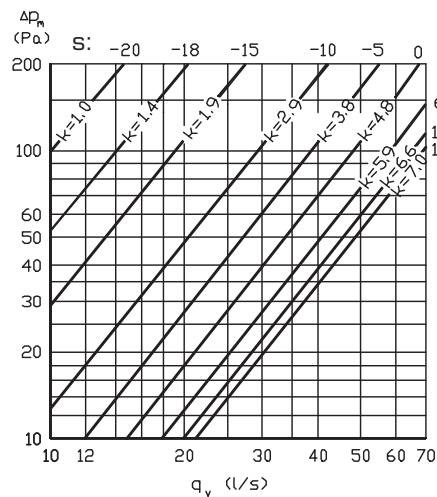
NK-125



NK-150



NK-160



NK-200

