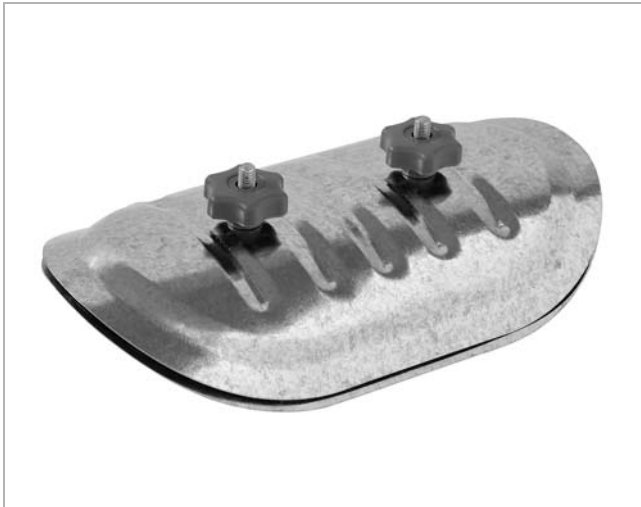


Access door

IPLR



Description

Access door, which fits on the curved side of a circular duct.

A neoprene cellular gasket seals on the duct's inside. Supplied with a self adhesive template which guides when cutting the oval aperture.

Ø 100–800 is available in stainless steel by request.

Can achieve maximum tightness class C.

Specification

Door Panels	Corrosion resistant galvanised mild steel.
Locking Knob	Polyamid.
Bolts/Nuts	Zinc plated mild steel.
Gasket	Neoprene cellular gasket which will not support combustion in its installed state.

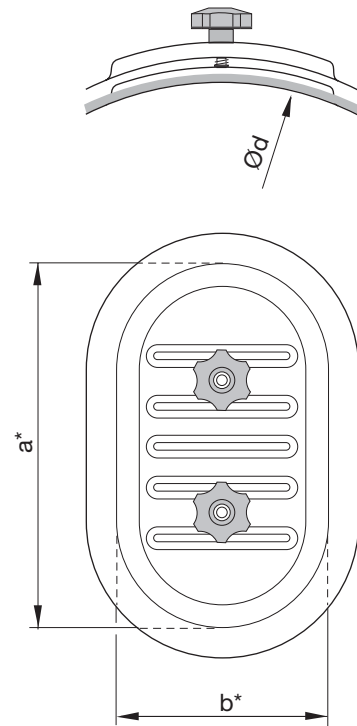
Alternative materials

Door panels are available in aluminium to special order.

Ordering exaple

Product	IPLR	500	GALV
Dimension Ød			
Material			

Dimensions



GALV

Ød nom	a* mm	b* mm	m kg
80	180	80	0,36
100-125	180	80	0,36
150-160	250	150	0,80
180	250	150	0,80
200	250	150	0,80
250	250	150	0,80
300-315	250	150	0,80
355	250	150	0,80
400	400	300	2,20
450	400	300	2,20
500	400	300	2,20
560	400	300	2,20
630	400	300	2,20
710	400	300	2,20
800	400	300	2,20
900	400	300	2,31
1000	500	400	2,31
1120	500	400	2,31
1250	500	400	2,31

* Note! Opening dimensions.

- 1
- 2
- 3
- 4
- 5
- 6
- 7
- 8
- 9
- 10
- 11
- 12
- 13
- 14
- 15
- 16
- 17
- 18

Access door

IPLR

Dimensions

Stainless steel

Ød nom	a mm	b mm	m kg
80	180	80	0,32
100	180	80	0,32
125	180	80	0,32
160	200	100	0,41
200	200	100	0,41
250	200	100	0,41
315	300	200	1,01
355	300	200	1,01
400	400	300	2,11
450	400	300	2,11
500	400	300	2,11
560	400	300	2,11
630	400	300	2,11
710	400	300	2,11
800	400	300	2,11
900	400	300	2,11