

A unique clamp with
quick locking system

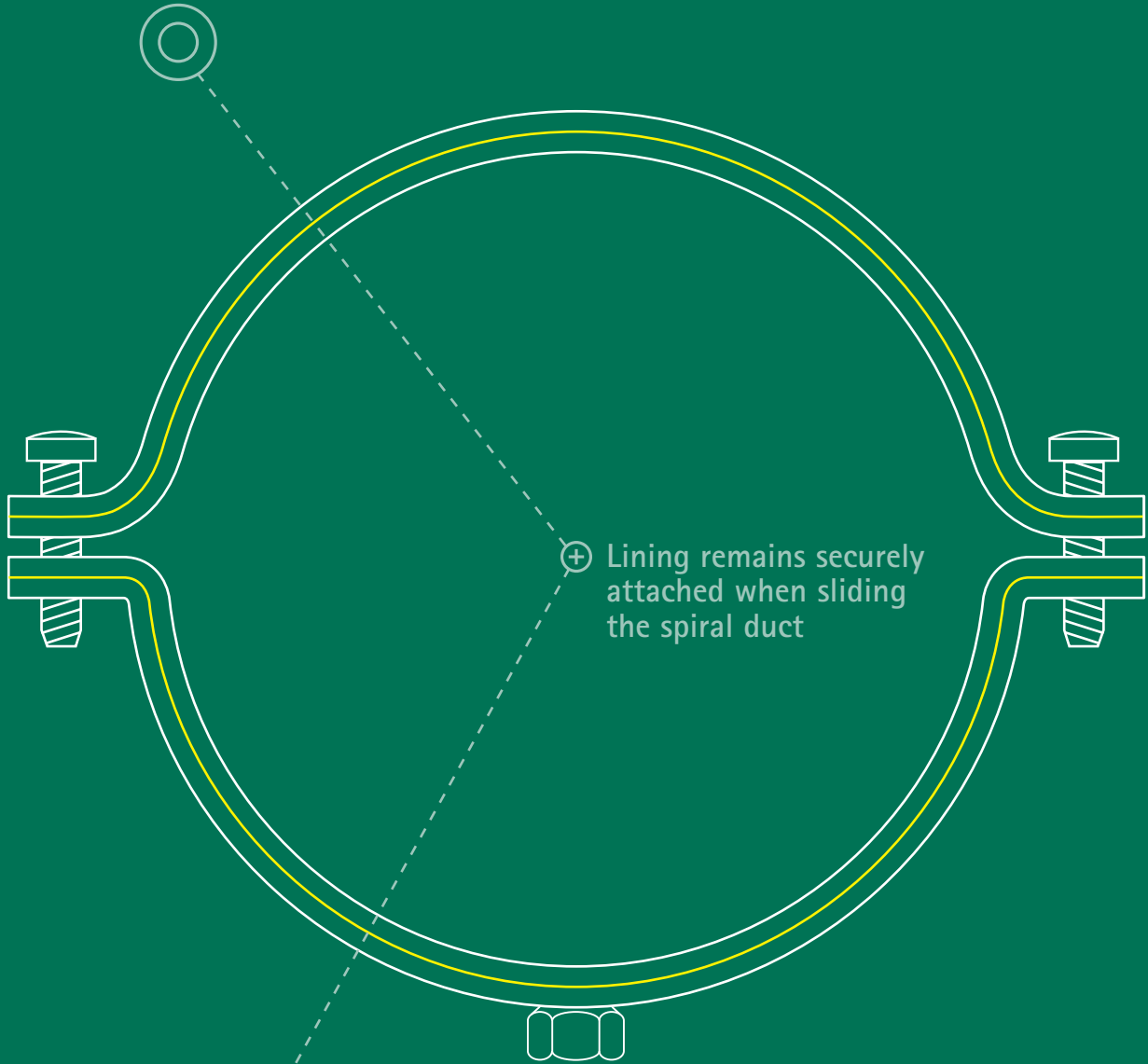


BIS Aero[®]

Spiral duct clamps



BIS Aero®



⊕ Lining remains securely attached when sliding the spiral duct

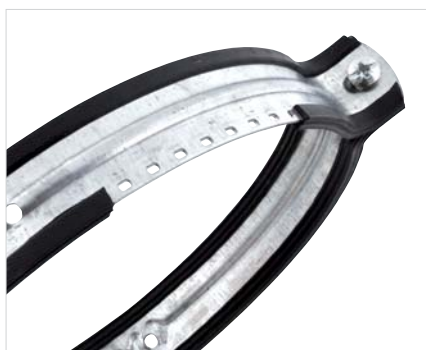
⊕ Quick locking system for quick and easy closing

⊕ Effortless fixing of spiral ducts

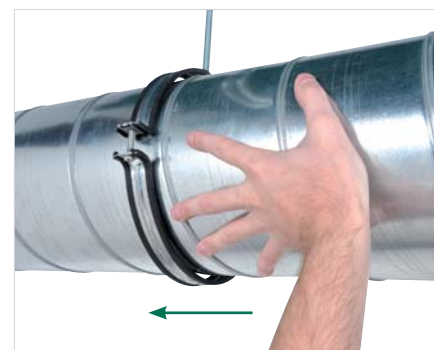
BIS Aero®

The BIS Aero® is a unique clamp. The rubber lining is formed around and through the steel band. It is conjoined with the steel and stays attached when sliding the spiral duct through the clamp.

The newly designed and patented quick locking system enables safe and easy fixing of spiral ducts. The range covers all common spiral duct sizes from 80 up to and including 1.250 mm.



■ Rubber lining is conjoined with the clamp



■ Trouble free sliding of spiral duct

Patented quick locking system



1.

2.

3.

4.

$D \geq 450$: locking 2 hexagon head bolts with nut.

Technical data

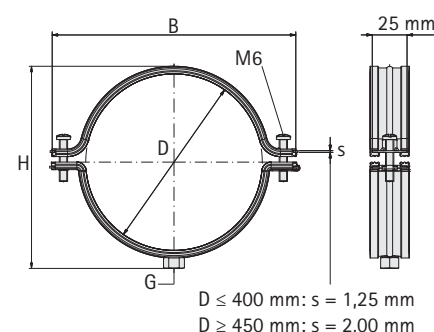
- Pipe clamp made of steel, pre-galvanized
- Noise insulating lining made of TPE rubber, black

Part No.	G	D (mm)	B (mm)	H (mm)	Box (pc)
411 5 080	M8	80	134	84	25
411 5 100	M8	100	155	115	25
411 5 125	M8	125	179	139	20
411 5 140	M8	140	197	162	20
411 5 150	M8	150	205	164	20
411 5 160	M8	160	215	175	20
411 5 180	M8	180	238	202	20
411 5 200	M8	200	255	215	20
411 5 225	M8	225	280	246	20
411 5 250	M8	250	306	265	20
411 5 280	M8	280	336	302	25
411 5 300	M8	300	356	322	25
411 5 315	M8	315	371	332	25
411 5 355	M8	355	411	371	25
411 5 400	M8	400	456	416	20

$D \leq 400$ mm: patented quick locking system.

Part No.	G	D (mm)	B (mm)	H (mm)	Box (pc)
411 5 450	M8/M10	450	524	481	3
411 5 500	M8/M10	500	574	531	3
411 5 560	M8/M10	560	634	591	3
411 5 600	M8/M10	600	674	632	3
411 5 630	M8/M10	630	705	669	3
411 5 710	-	710	732	732	3
411 5 800	-	800	875	817	3
411 5 900	-	900	975	917	3
411 5 999	-	1.000	1.076	1.018	3
411 5 997	-	1.120	1.196	1.138	3
411 5 998	-	1.250	1.326	1.268	3

$D \geq 450$ mm: locking 2 hexagon head bolts with nut.



Find out how we can support you

Would you like to find out more about any of the solutions described in this brochure?
Or would you like to discuss how we could help you find the best possible solution for your project? Get in touch today!

United Kingdom Ireland

Walraven Ltd.

Thorpe Way, Banbury (GB)
Oxon, OX16 4UU
Tel. +44 (0)1295 75 34 00
Fax +44 (0)1295 75 34 28
sales.uk@walraven.com

Other countries

Walraven International

P.O. Box 15
3640 AA Mijdrecht (NL)
Tel. +31 (0)297 23 30 00
Fax +31 (0)297 23 30 99
export@walraven.com

Walraven Group

Mijdrecht (NL) · Tienen (BE) · Bayreuth (DE) · Banbury (GB) · Malmö (SE) · Grenoble (FR) · Barcelona (ES) · Kraków (PL)
Mladá Boleslav (CZ) · Moscow (RU) · Kyiv (UA) · Detroit (US) · Shanghai (CN) · Dubai (AE) · Budapest (HU)

NL



GB

