

Art. 211

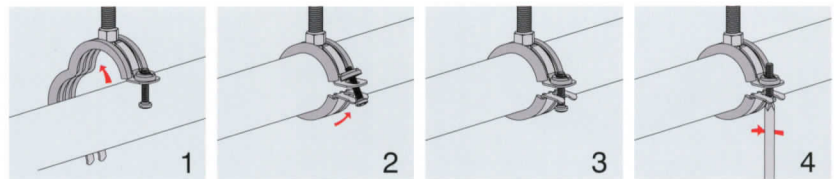
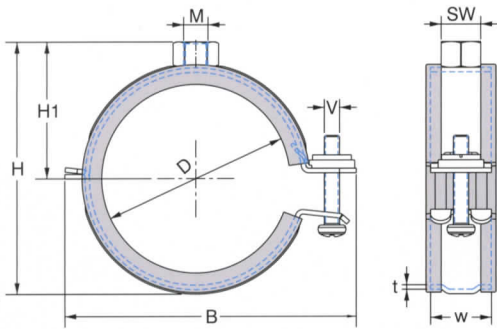
Hinged Pipe Clamp W/ Lining, **RapidClick™** Type (II)

Advantages/Benefits

- Eurofix patented model.
- Suitable for fixing of drinking and heating water pipe lines.
- **Effective elastic Snap-in closure property.**
- Hinged pipe clamp can open wide for easy insertion of the pipe.
- Secure stop points on top of the screw prevent the screw from falling down during the installation works.
- Time and energy saving insertion of the pipe in overhead installation.
- Strong sound insulation insert for firm fit.

Technical Data

- Material: Steel 1.0332 acc. to DIN EN 10111
- Zinc plating: Electro zinc plated, 8–12 µm
- Sound absorption lining: EPDM; chlorine-free; silicone-free
- Noise reduction: According to DIN 4109
- Temperature resistance: -50°C to +110°C
- EPDM hardness: 45° +/- 5° Shore-A
- Fire behaviour: Class B2 according to DIN 4102



Article Number	Clamping Range D[mm]	Clamping Range [inch]	Connecting Thread	Dimensions [mm]						Pack Size [pcs]	Max. Rec. Load [N]
				w x t	B	H	H1	SW	V		
1218 211 012	12-14	1/4	M8	20x1.2	48	33	20	13	M5x25	150	1000
1218 211 015	15-19	3/8	M8	20x1.2	51	38	23	13	M5x25	150	1000
1218 211 021	21-23	1/2	M8	20x1.2	56	42	25	13	M5x25	100	1000
1218 211 026	26-28	3/4	M8	20x1.2	61	47	27	13	M5x25	100	1000
1218 211 032	32-35	1	M8	20x1.2	68	54	31	13	M5x25	100	1000
1218 211 040	40-43	1-1/4	M8	20x1.2	76	62	35	13	M5x25	50	1000
1218 211 048	48-51	1-1/2	M8	20x1.2	84	70	39	13	M5x25	50	1000
1218 211 052	52-56	–	M8	20x1.5	90	78	42	13	M5x35	50	12000
1218 211 057	57-60	2	M8	20x1.5	94	82	45	13	M5x35	50	1200
1218 211 062	62-65	–	M8	20x1.5	101	87	47	13	M5x35	50	1200
1218 211 070	70-73	–	M8	20x1.5	107	95	51	13	M5x35	50	1200
1218 211 074	74-80	2-1/2	M8	20x1.5	113	102	55	13	M5x35	50	1200
1218 211 083	83-91	3	M8	20x1.5	124	113	60	13	M5x35	50	1200
1218 211 101	101-106	–	M8/M10	23x2.0	148	140	78	13	M6x30	25	1800
1218 211 108	108-114	4	M8/M10	23x2.0	156	146	81	13	M6x30	25	1800