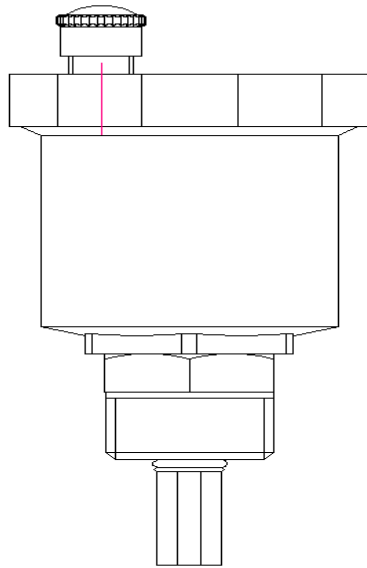




IDC Plumbing & Heating Technology (Beijing) Ltd.

3F, Unit 2, Building No.2, Section A,
Zhaowei Science & Technology Park, No. 14, Jiuxianqiao Road
Chaoyang District, Beijing, CHINA
Post code:100015

DATASHEET



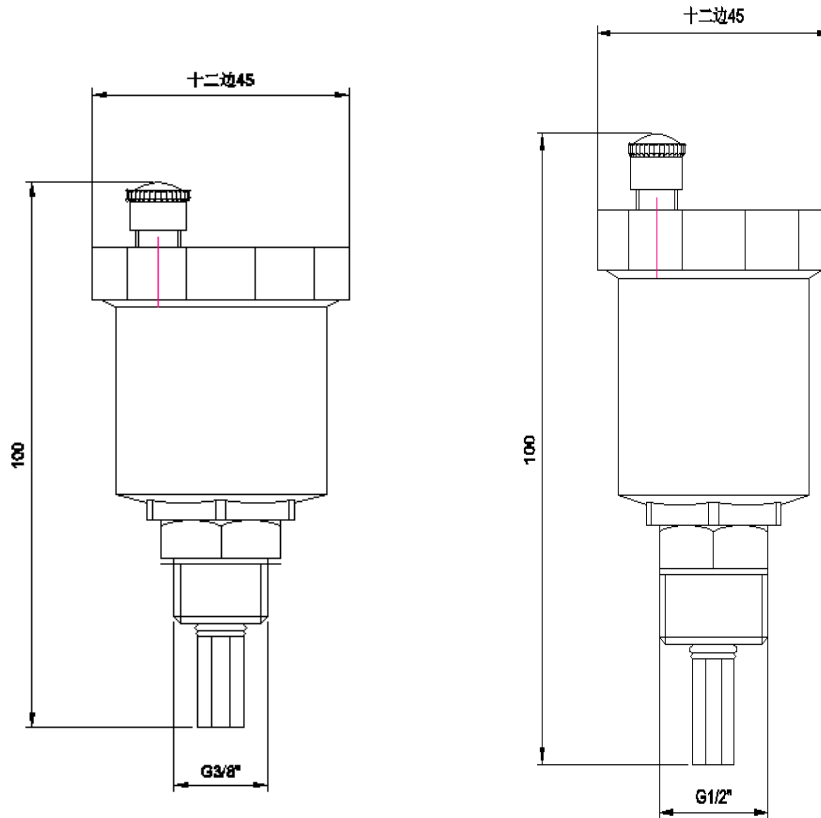
Specifications	3/8"	1/2"
Material	HPB57-3	HPB57-3
Nominal Pressure	PN10	PN10
Operating temperature	110°C	110°C
guarantee	5 years	5 years



IDC Plumbing & Heating Technology (Beijing) Ltd.

3F, Unit 2, Building No.2, Section A,
 Zhaowei Science & Technology Park, No. 14, Jiuxianqiao Road
 Chaoyang District, Beijing, CHINA
 Post code:100015

Technical drawing



A	3/8"	1/2"
Weight (g)	169	177
L (mm)	100	100
H (mm)	45	45