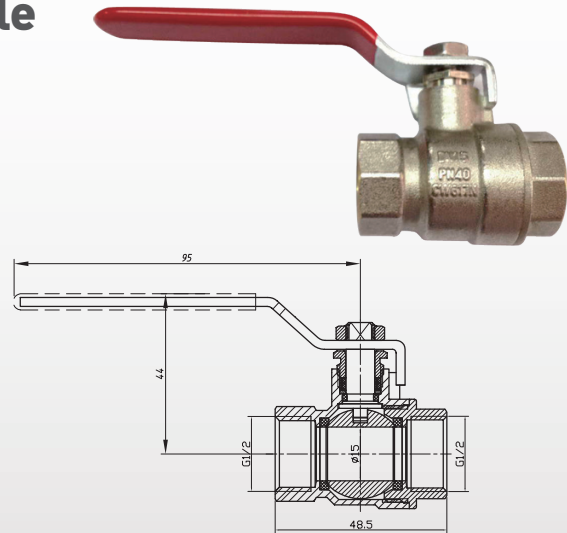


BALL VALVE

Ball Valve F/F With Lever Handle

- Temperature range: -20°C ~ +120°C
- Standard: EN13828
- Media allowed: potable water, water-glycol mixed up to 50%
- Surface treatment: sandblasted and nickel plated

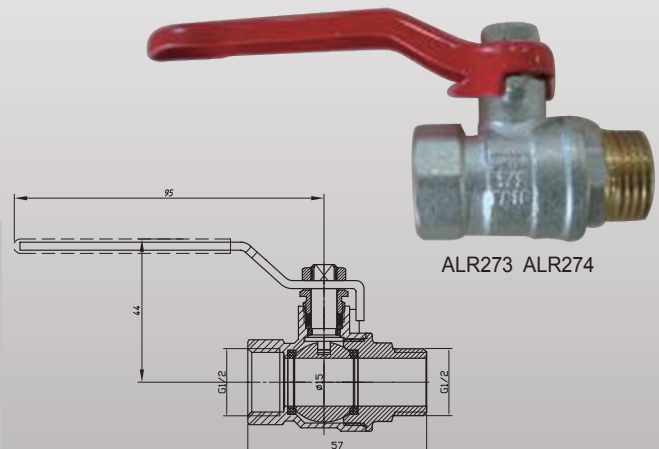
SAP Code	Type	Specification	Approval
ALR264	1/2"	Material: CW617N, Pressure: PN40	VTT, ACS, CE
ALR265	3/4"		
ALR266	3/8"		
ALR269	1"		
ALR270	1 1/4"		
ALR271	1 1/2"		
ALR272	2"		



Ball Valve F/M

- Temperature range: -20°C ~ +120°C
- Standard: EN13828
- Media allowed: potable water, water-glycol mixed up to 50%
- Surface treatment: sandblasted and nickel plated

SAP Code	Type	Specification	Approval
ALR273	1/2"	Material: CW617N, Pressure: PN40	VTT, ACS, CE
ALR274	3/4"		
ALR275	1"		
ALR279	1 1/4"		
ALR284	1 1/2"		
ALR285	2"		



ALR273 ALR274



ALR279



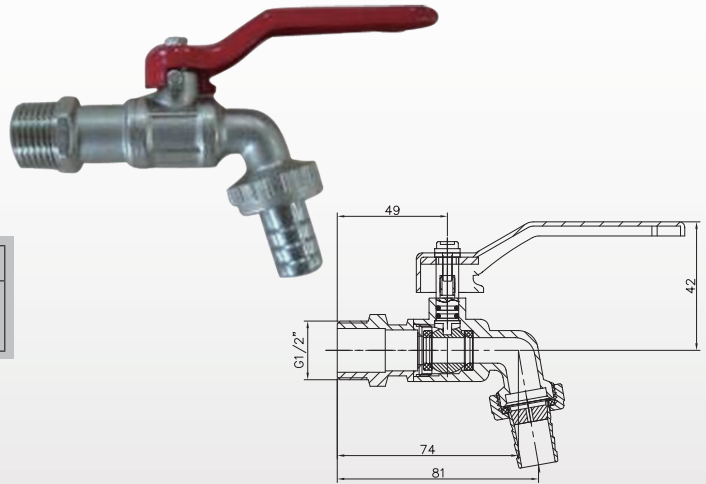
ALR284 ALR285

BALL VALVE

Bibcock

- Temperature range: -20°C ~ +120°C
- Standard: thread are to ISO228
- Media allowed: potable water, water-glycol mixed up to 50%
- Surface treatment: nickel plated

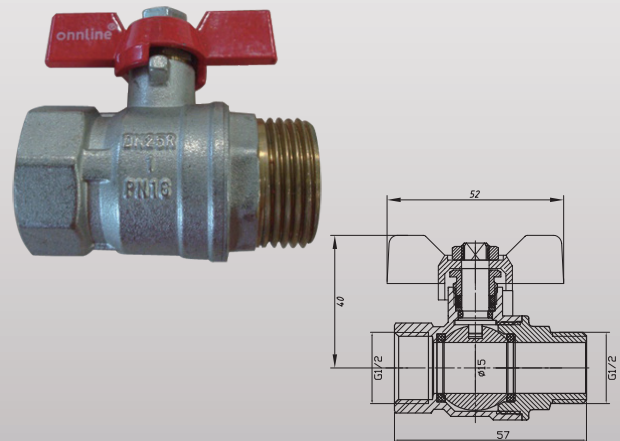
SAP Code	Type	Specification	Approval
ALR267	1/2	Material: CW617N, Pressure: 16bar	ACS
ALR268	3/4		



Ball Valve F/M Short Handle

- Temperature range: -20°C ~ +120°C
- Standard: EN13828
- Media allowed: potable water, water-glycol mixed up to 50%
- Surface treatment: sandblasted and nickel plated

SAP Code	Type	Specification	Approval
ALR280	1/2"	Material: CW617N, Pressure: PN40	VTT, ACS, CE
ALR281	3/4"		
ALR282	1"		



Ball Valve 1/2" X 3/4"

- Temperature range: -20°C ~ +120°C
- Standard: thread are to ISO228
- Media allowed: potable water, water-glycol mixed up to 50%
- Surface treatment: chrome plated
- With cover

SAP Code	Type	Specification	Approval
ALR283	1/2" x 3/4"	Material: normal brass, Pressure: 10 bar	DVGW

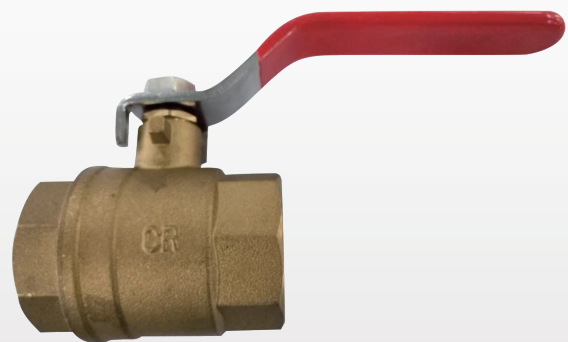


BALL VALVE | COMPRESSION NUT

Dzr Ball Valve With Female Threads F/F D

- Temperature range: -20°C ~ +120°C
- Standard: EN13828
- Media allowed: Potable water, water-glycol mixed up to 50%
- Surface treatment: sandblasted with brass color

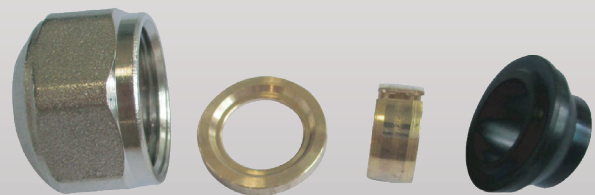
SAP Code	Type	Specification	Approval
AJA739	2	Material: CW602N, Pressure: PN25	VTT, ACS, WRAS, CE
AJA740	1 ½		
AJA741	1 ¼		
AJA885	1		
AJA886	¾		
AJA887	½		



Compression Nut

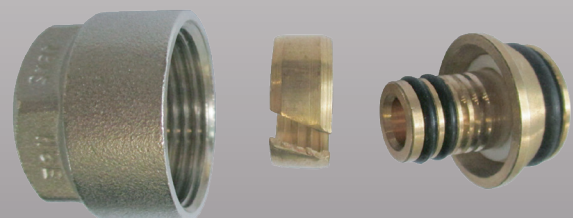
- Connection set for copper soft steel and stainless steel tube,
- Temperature range: 90°C
- Media allowed: Potable water
- Surface treatment: nickel plated

SAP Code	Type	Specification
ASN654	¾" x 15mm / 1mm	Material: CW617N, Pressure: 10 bar
ASN651	¾" x 18mm / 1mm	



- Connection set for Alu-multilayer and plastic tubes
- Temperature range: 90°C
- Media allowed: Potable water
- Surface treatment: nickel plated

SAP Code	Type	Specification
ASN652	¾" x 16mm / 2mm	Material: CW617N, Pressure: 10 bar
ASN653	¾" x 20mm / 2mm	



H-BLOCK WITH TWO TAPERS | LOCKSHIELD

Straight H-Block With Two Tapers

- Temperature range:
maximum working temperature: 95°C
- Standard: thread are to ISO228
- Media allowed: Hot water
- Surface treatment: nickel plated

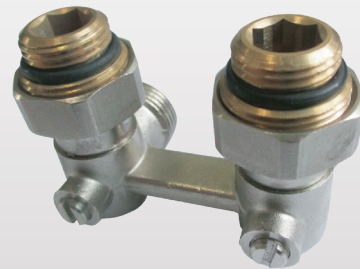
SAP Code	Type	Specification
ASN655	1/2" x 3/4" M x M	Material: CW617N, Pressure: 10 bar



Angle H-Block With Two Tapers

- Temperature range:
maximum working temperature: 95°C
- Standard: thread are to ISO228
- Media allowed: Hot water
- Surface treatment: nickel plated

SAP Code	Type	Specification
ASN656	1/2" x 3/4" M x M	Material: CW617N, Pressure: 10 bar



Lockshield, Connection Straight

- Temperature range:
maximum working temperature: 95°C
- Standard: thread are to ISO228
- Media allowed: Hot water
- Surface treatment: nickel plated

SAP Code	Type	Specification
ASN657	1/2" x 1/2" F x M	Material: CW617N, Pressure: 10 bar



Lockshield, Connection Angle

- Temperature range:
maximum working temperature: 95°C
- Standard: thread are to ISO228
- Media allowed: Hot water
- Surface treatment: nickel plated

SAP Code	Type	Specification
ASN658	1/2" x 1/2" F x M	Material: CW617N, Pressure: 10 bar

