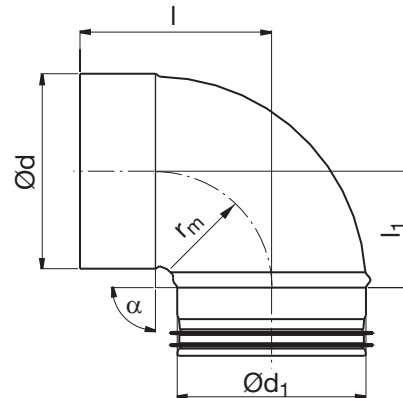


# Bend – Casting-in programme

# BKMU 90°



## Dimensions



$$r_m = 0,6 \cdot d_1$$

| Ød <sub>1</sub> nom | Ød nom | l mm | l <sub>1</sub> mm | m kg |
|---------------------|--------|------|-------------------|------|
| 80                  | 80     | 123  | 80                | 0,13 |
| 100                 | 100    | 105  | 62                | 0,21 |
| 125                 | 125    | 120  | 79                | 0,31 |
| 160                 | 160    | 136  | 94                | 0,63 |

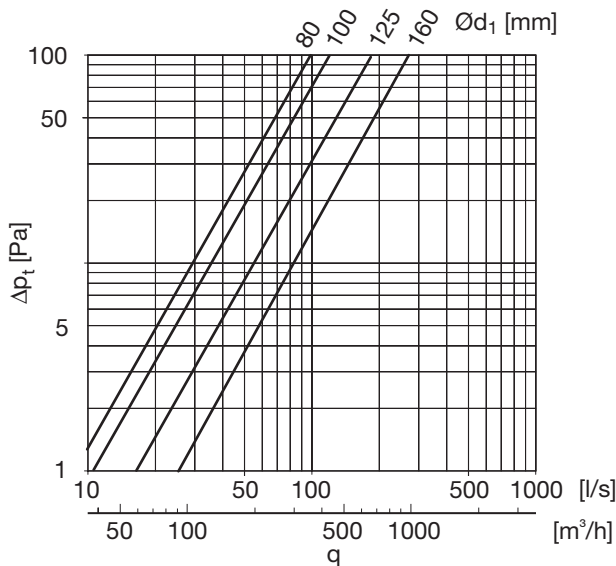
## Description

Pressed and seam welded bend with short installation length and female end.

Has Click function at the Safe end – has an open turned-over end.

Has normally not any Click function at the female end – hasn't any notches.

Ø 100–160 can upon order be delivered with click function at the female end as well – i.e. with notches.



## Ordering example

